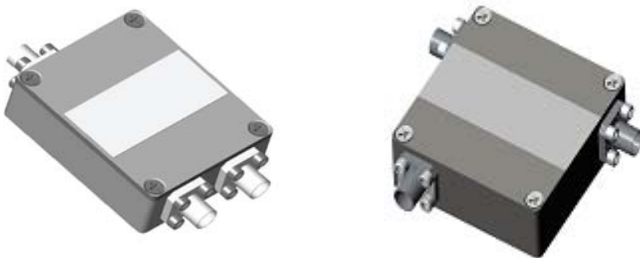


Linear Crossover (LC) Diplexers

Delaire USA, Inc. introduces Linear Crossover (LC) Diplexers. Delaire offers a comprehensive family of LC Diplexers in a compact metal package. Applications for these diplexers include broadcast transmission, government, and commercial communication systems.



Features:

- 15 watts Power Over Passband Range
- SMA Connectors
- Contiguous VSWR

Electrical Specifications:

Parameter	Specification	Frequency Range
Crossover Frequency	10MHz-1000MHz*	Crossover \pm 1%
Crossover Insertion Loss	5.5dB (Max)	
VSWR	2.0:1dB (Max)	DC to 2 x Crossover
Insertion Loss LPF Passband	1.3dB (Max)	5KHz to Crossover -7%
Insertion Loss HPF Passband	1.3dB (Max)	Crossover +7% to 2 x Crossover
Rejection LPF	60dB (Min)	1.33 x Crossover to 2 x Crossover
Rejection HPF	60dB (Min)	5KHz to .75 x Crossover

***10MHz-200MHz supplied in standard enclosures as shown in mechanical drawing A. >200MHz-1000MHz supplied in standard enclosures as shown in mechanical drawing B.**

- Other crossover frequencies available upon request
- Custom enclosures can be designed to specification
- When ordering, please indicate Crossover Frequency (in MHz) and whether or not diplexer should be painted. (Diplexer is painted using epoxy paint, Fed STD #36231 Gray).

Environmental Specifications:

Parameter	Specification
Shock	20 G's, 1/2 Sine, 11Ms
Vibration	10 G's, 10 Hz – 2000 Hz
Temperature	-55 ⁰ C to 85 ⁰ C
Relative Humidity	0 – 95%

Linear Crossover (LC) Diplexers

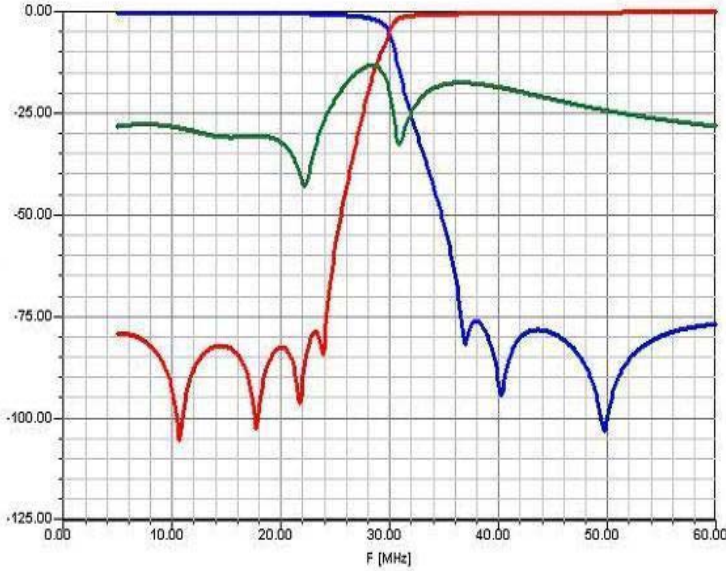


Figure 1: Crossover and VSWR 10 dB per Division

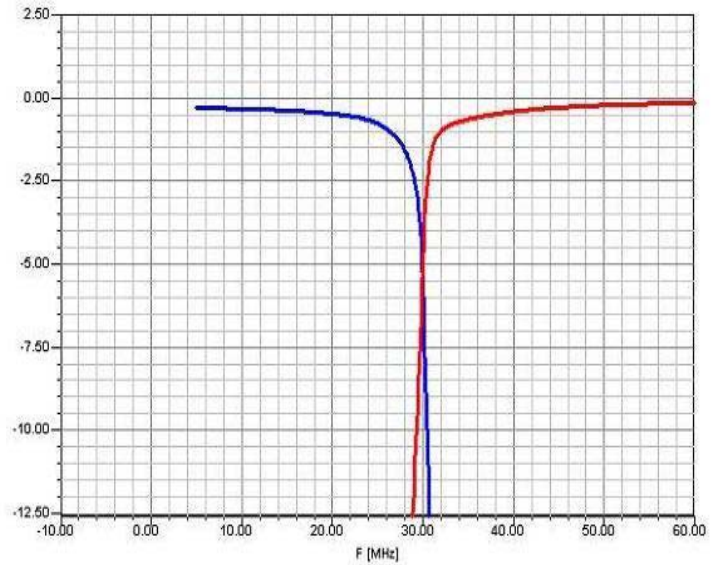
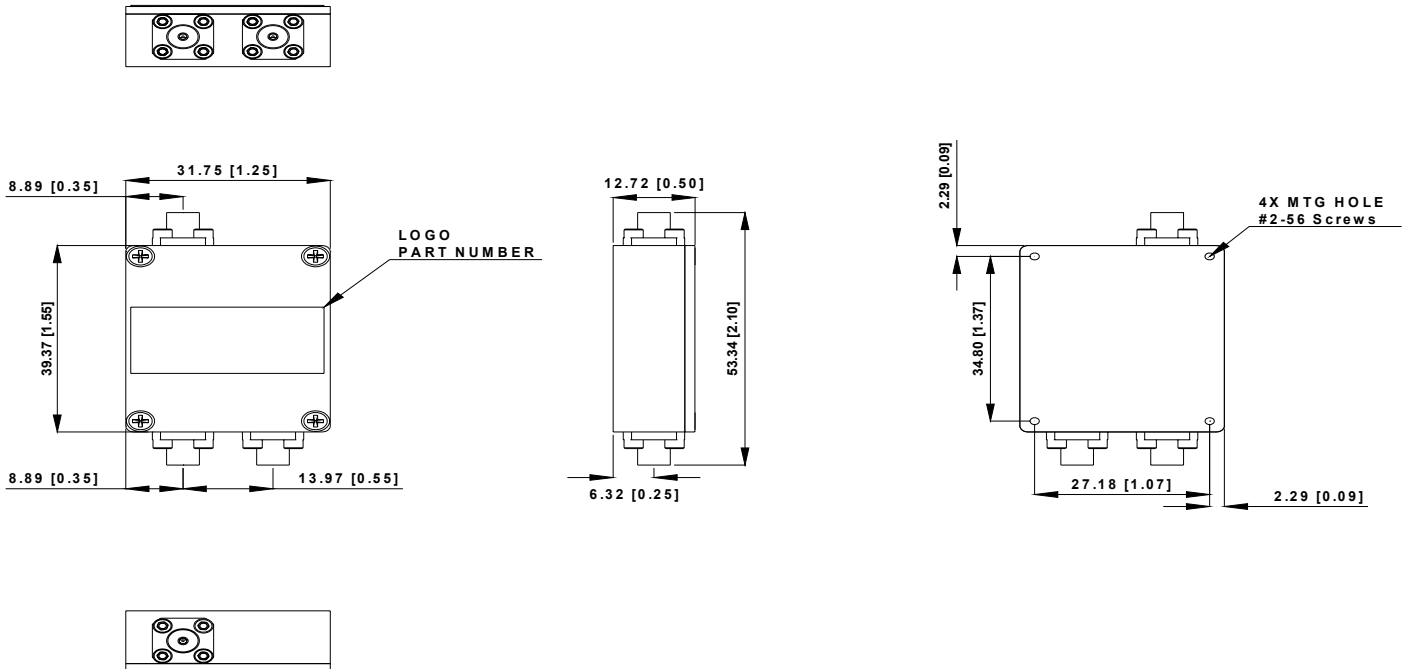


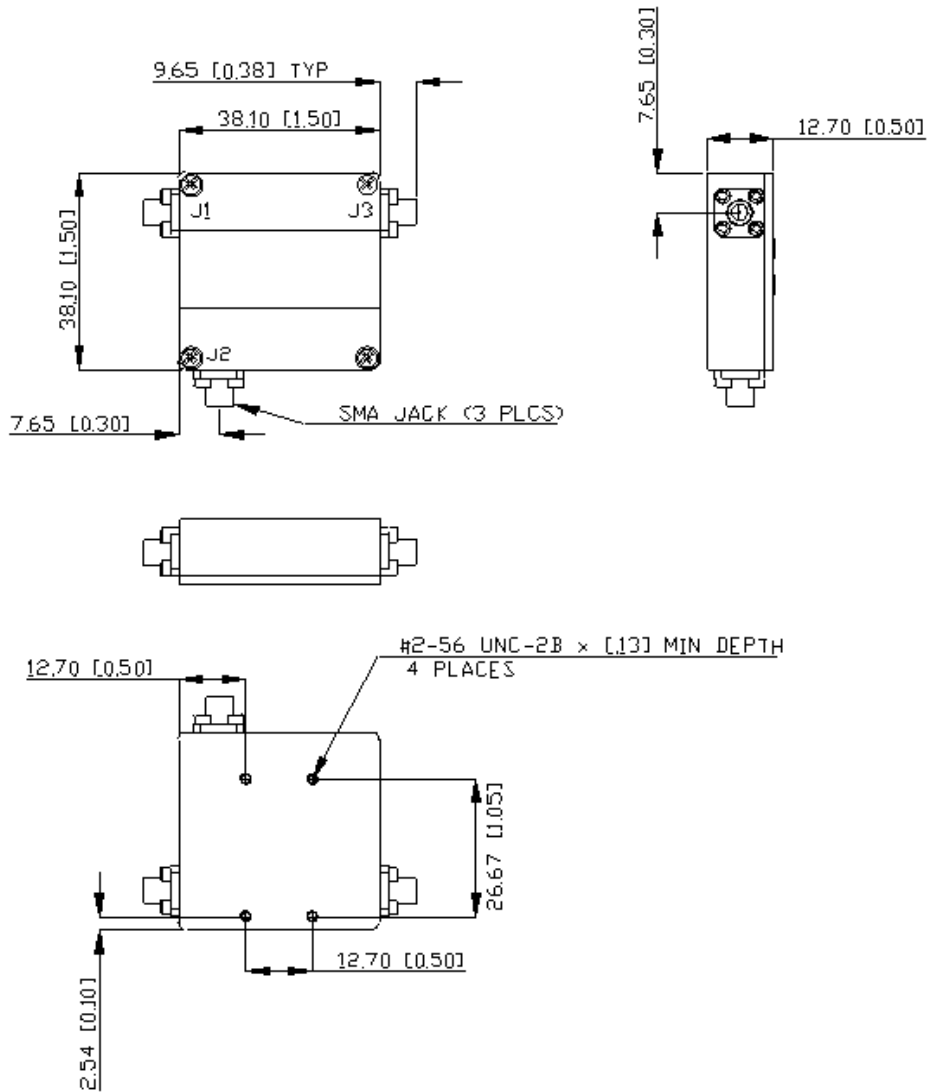
Figure 2: Crossover, 1 dB per Division

Mechanical Package A: (Crossover Frequency 10MHz to 200MHz)



Part #:	BF9167-00	Date:	10/15/04	Approval:	vpl	ECO#:	N/A	REV:	000
----------------	-----------	--------------	----------	------------------	-----	--------------	-----	-------------	-----

Mechanical Package B: (Crossover Frequency >200MHz to 1000MHz)



For further information about these new linear crossover diplexers or for information regarding other possible configurations, contact Lorraine Hallock (lori@delaireusa.com), 732-528-4520 or visit Delaire USA's website, <http://www.delaireusa.com>.

1913 Atlantic Avenue, Manasquan, NJ 08736. Tel: 732-528-4520 Fax: 732-528-4521

Part #:	BF9167-00	Date:	10/15/04	Approval:	vpl	ECO#:	N/A	REV:	000
----------------	-----------	--------------	----------	------------------	-----	--------------	-----	-------------	-----